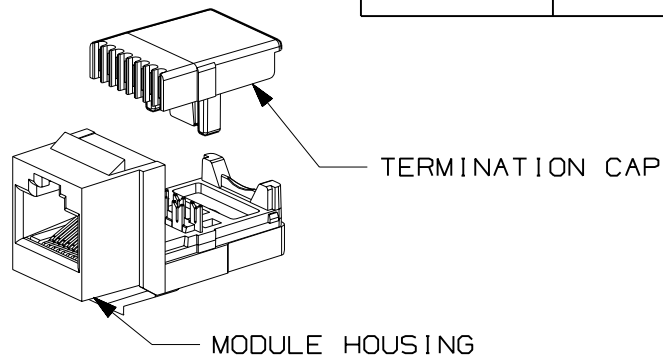


THIS COPY IS PROVIDED ON A RESTRICTED BASIS AND IS NOT TO BE USED IN ANY WAY DETRIMENTAL TO THE INTERESTS OF PANDUIT CORP.

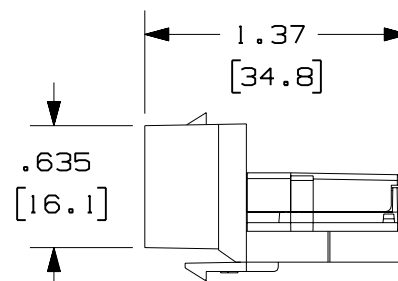
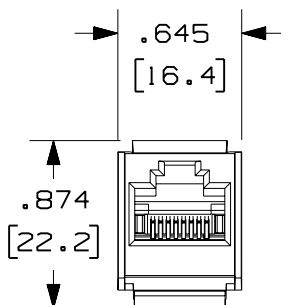
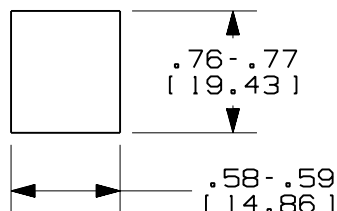
PANDUIT PART NO.	DESCRIPTION	WEIGHT
NK588M**Y	8 POSITION, 8 WIRE CAT5 UNIVERSAL MODULAR JACK. TERMINATION CAP IS COLOR CODED FOR T568A AND T568B WIRING SCHEMES.	1.32 LB/100 PCS (599 g/100 PCS)
NK5E88M**Y	8 POSITION, 8 WIRE CATEGORY 5E UNIVERSAL MODULAR JACK. TERMINATION CAP IS COLOR CODED FOR T568A AND T568B WIRING SCHEMES.	



NOTES:

1. SEE CURRENT NETKEY™ CATALOG FOR ADDITIONAL PART NUMBER SUFFIXES TO INDICATE COLOR AND OR PACKAGE QUANTITY.
2. MATERIAL:  
MODULE HOUSING: ABS  
NOMINAL WALL THICKNESS: .078(2.0)  
TERMINATION CAP: POLYCARBONATE.
3. ALL 8 POSITION, 8 WIRE CONNECTOR MODULES WILL ACCEPT THREE OR FOUR PAIR MODULAR PLUGS WITHOUT DAMAGE.
4. DIMENSIONS IN BRACKETS ARE IN METRIC.

PANEL OPENING REQUIREMENTS  
PANEL THICKNESS: (.048"-.058")



ACTUAL SIZE

MODEL FILENAME	M00708AA_STD_KYSTN_01	SIZE	A
DRAWING FILENAME	M02479LS_DC306_00A		

NETKEY™ CAT5, CAT5E, KEYSTONE  
MODULE CUSTOMER DRAWING

	<b>PANDUIT</b> <sup>R</sup> CORP. TINLEY PARK, IL 60477	I.I. NUMBER
		PRODUCT SPEC
 THIRD ANGLE PROJECTION	ALL DIMENSIONS ARE GIVEN IN INCHES, UNLESS OTHERWISE SPECIFIED.  DIMENSIONAL TOLERANCES ARE: (.X) ±.03    (.XXX) ±.005 (.XX) ±    ANGLES ±	WORK INSTRUCTION
		SCALE
DRAWN BY LZ	REVIEW DRAWING NUMBERS	PART NO. NK588M**Y NK5E88M**Y
DATE 3-18-06		DRAWING NO. 02479-306
CHK'D		

REV	DATE	BY	CHK	DESCRIPTION	ECN	R	CUST	SUP	OTH
R	3-18-06	LZ		RELEASED TO PRODUCTION	02479-306				